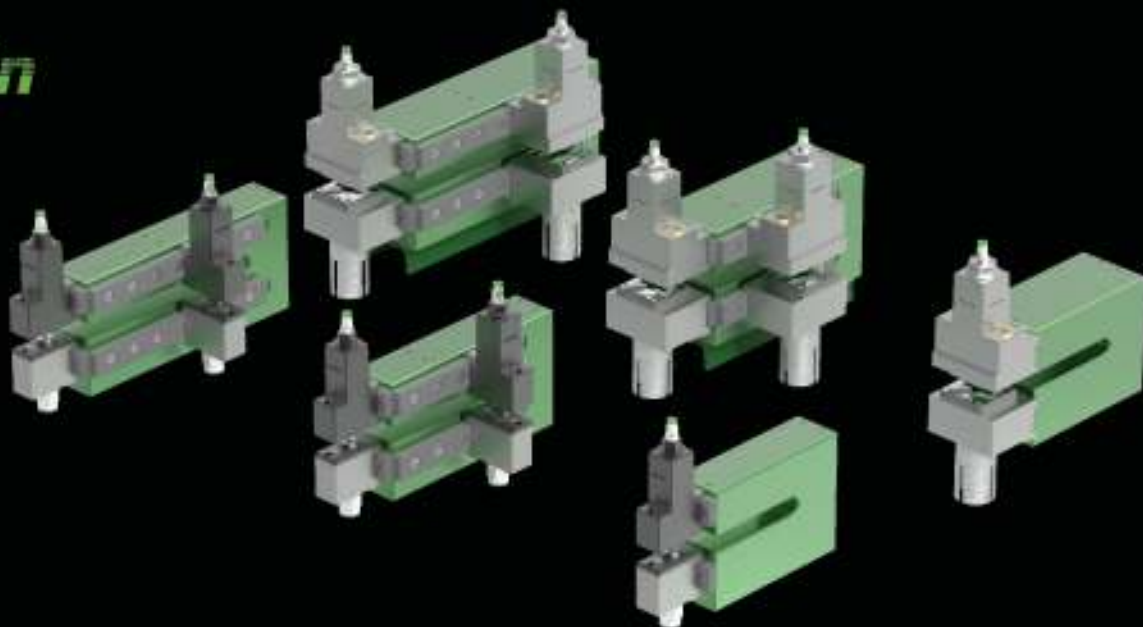


LaserPin

SLP



SLP is a Side Unit: a small U-shaped structure to be installed on a hosting unit

The SLP goes at the edges of the film's width and it is recommended when only one hole on a moving web is needed, at distances from 50 up to 400mm from the edge.

It consists of a supporting structure with a "throat" with a length of 50, 100, 150, 200, 300 or 400 mm, a complete punching tool (die, hammer, valve) and an electronic control box. It has a maximum operative speed of 250 meters/minute.

It is the ideal solution for companies who need to perforate the material on the sides of the film (typically in the bag industry and on extruders). It is available for both circular and shaped holes.

Laserpin developed four Side Unit models:

- **SLP30:** for holes with a diameter from 2 to 30 mm.
- **SLP80:** for holes with a diameter from 2 to 50 mm and Euroslot or small shaped holes.
- **SLP120:** for holes with a diameter from 2 to 50 mm. It is also suitable for shaped holes. Specifically: Euroslot and Handle hole
- **HSLP:** for a bigger holes from 60 to 100 mm. Suitable for agricultural applications.

The SLP 150-200 and 300 can be equipped with dovetails along the structure making it possible to mount more than one punching tool on the U structure.

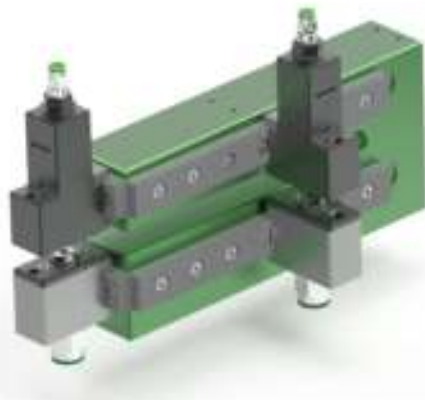
LaserPin
Perforation Equipment

LaserPin srl
Viale Europa 18/20 - Cologno Monzese (Milan) Italy
Phone +39-022547475
www.laserpin.eu - info@laserpin.eu

SLP

The SLP is a special U-Shaped structure to be installed on a hosting unit

It is especially suitable for Bag making machines and holes on the edge of the film.



Throat Length

30-400 mm

Maximum Thickness

800 microns

Maximum Speed

250 meters/minute

Maximum Frequency

35 Hz

Diameter of the Holes

2-50 mm

Software 4.0

Optional

Hole Shape

Custom

Type of Material



LDPE



HDPE



PP



COATED



FOAM



PAPER



PVC



BIODEGRADABLE



COMPOSTABLE

MAIN APPLICATIONS

BAGS FOR FRUIT

BAGS FOR VEGETABLES

SHOPPING BAGS

PACKAGING FOR ELECTRONIC EQUIPMENT